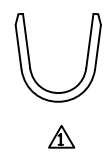
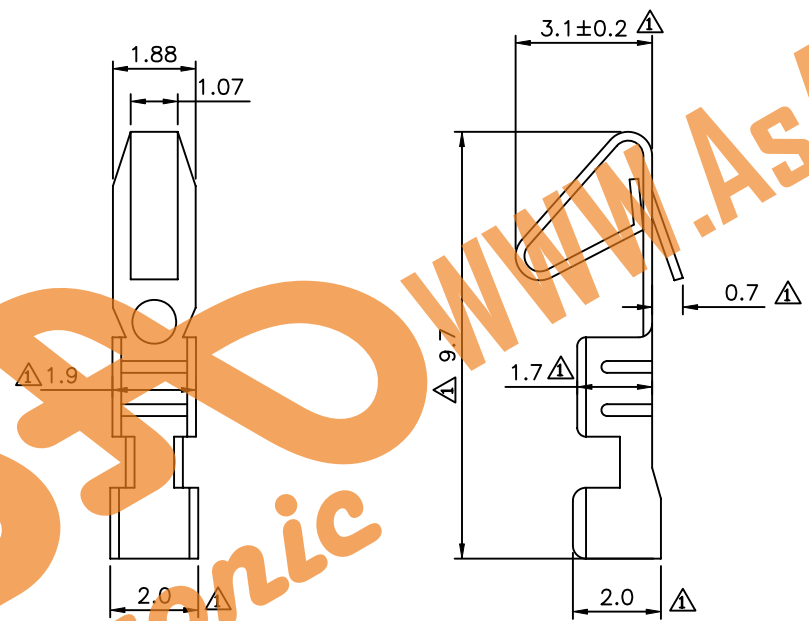
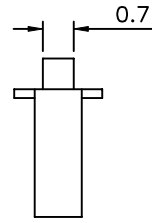


△ SPECIFICATION

Applicable Wire:AWG #22~30  
 Material:Brass,Tin Plated  
 Thickness:0.2mm  
 Hardness:SH  
 Q'ty:10000 PCS/Roll  
 RoHS Compliant



AsA Electronic

**AsA** Electronic  
 WWW.AsA-Elec.com  
 AsA Electronic Co.  
 Tel : (+98) 21 66 73 56 82 Mob : (+98) 912 03 161 02

|             |      |                |    |  |
|-------------|------|----------------|----|--|
| DRAWING No. |      | APPROVED BY    |    | UNLESS OTHERWISE SPECIFIED TOLERANCES ARE<br>.X ±0.38<br>.XX ±0.25 |
| 01993       |      | MEI            |    |  |
|             |      | CHECKED BY HZF |    |  |
|             |      | DRAWING BY QQJ |    |  |
| SCALE       | NONE | REV.           | A1 | UNIT mm  |

|      |      |             |       |            |
|------|------|-------------|-------|------------|
| NO.  | REV. | REVISIONS   | CHK   | DATE       |
| △ A1 |      | Modify Data | HZF   | 03/05/2010 |
| △ A0 |      | NEW RELEASE | BECKY | 02/14/2006 |